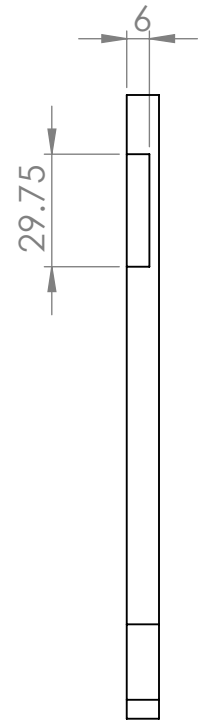
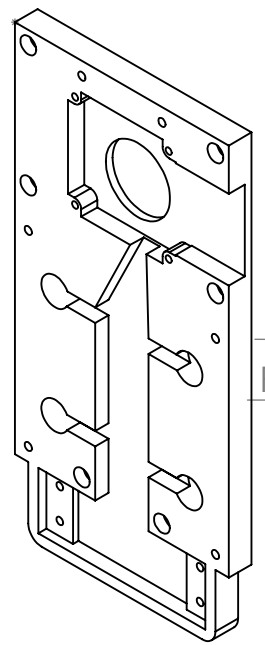
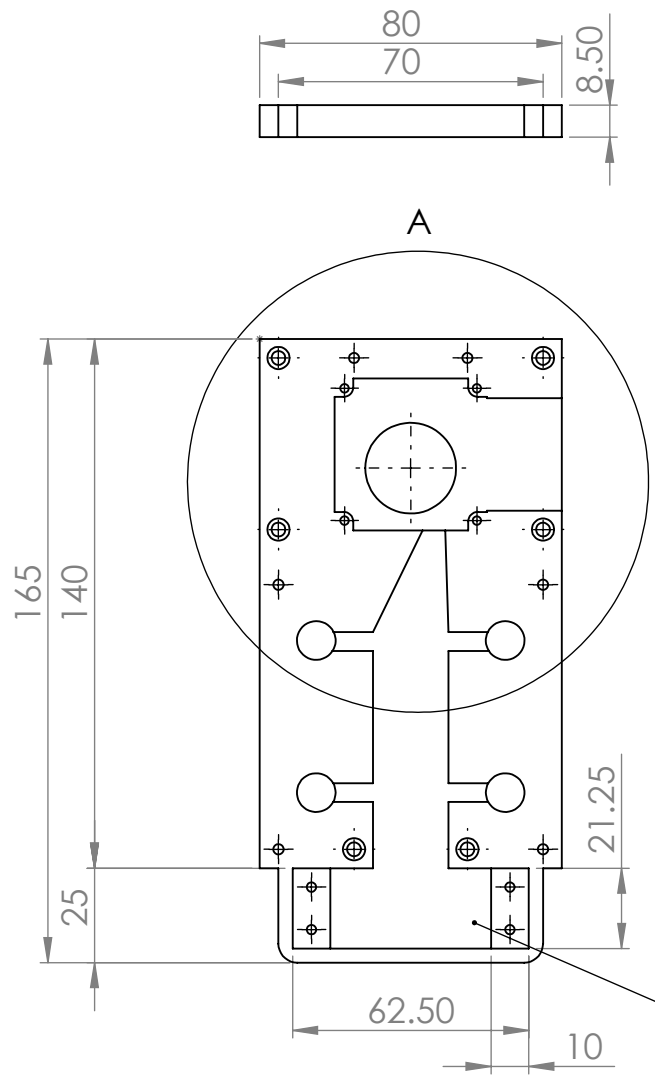
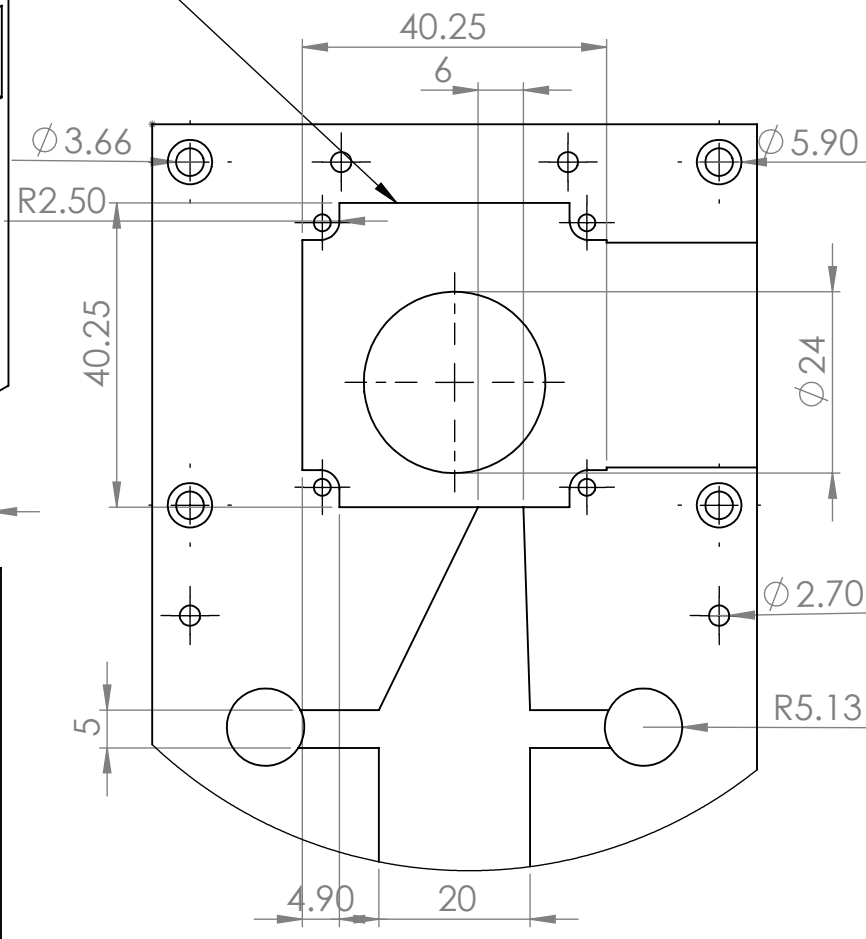


Optostimulation Rig LED Mount - Middle Piece
 Ted French
 8 August 2011
 Potter Group
 Scale 1:2



Slot dimensioned to fit a small 5V fan
 Airflow channel sized
 to maximize influx velocity



DETAIL A
 SCALE 1 : 1

End Slot to attach a small PCB for control of LEDs and fan